
A2

2019.03

-\$ <

..... 1

..... 2

..... 3

..... 5

..... 6

..... 8

[Empty rectangular box]

[Empty rectangular box]

[Empty rectangular box]

1.1 1 4

2

3

4 4

5

2

1.2 1 4

2

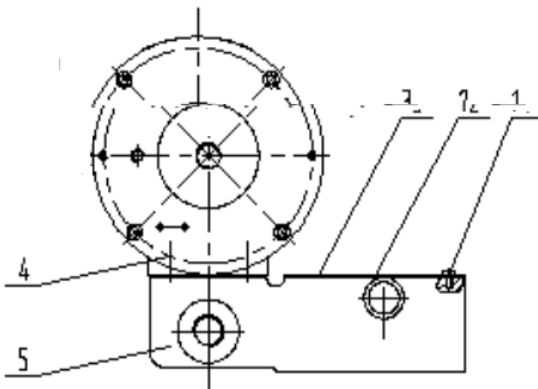
3

4 4

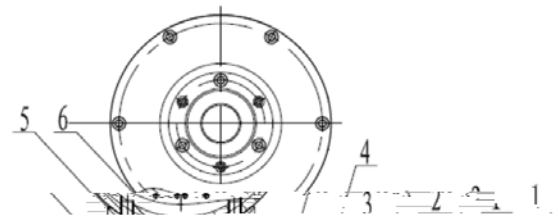
5

6 4

5

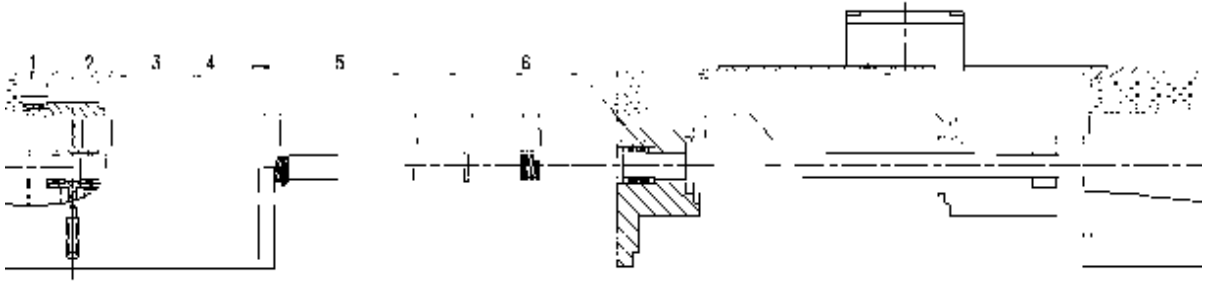


1.1



1.2

3



1.3

1.3

1

2

3

4

6

5

6

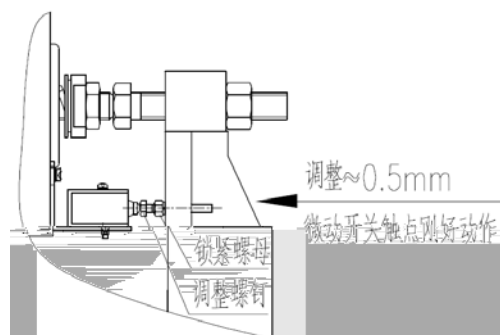
4

1

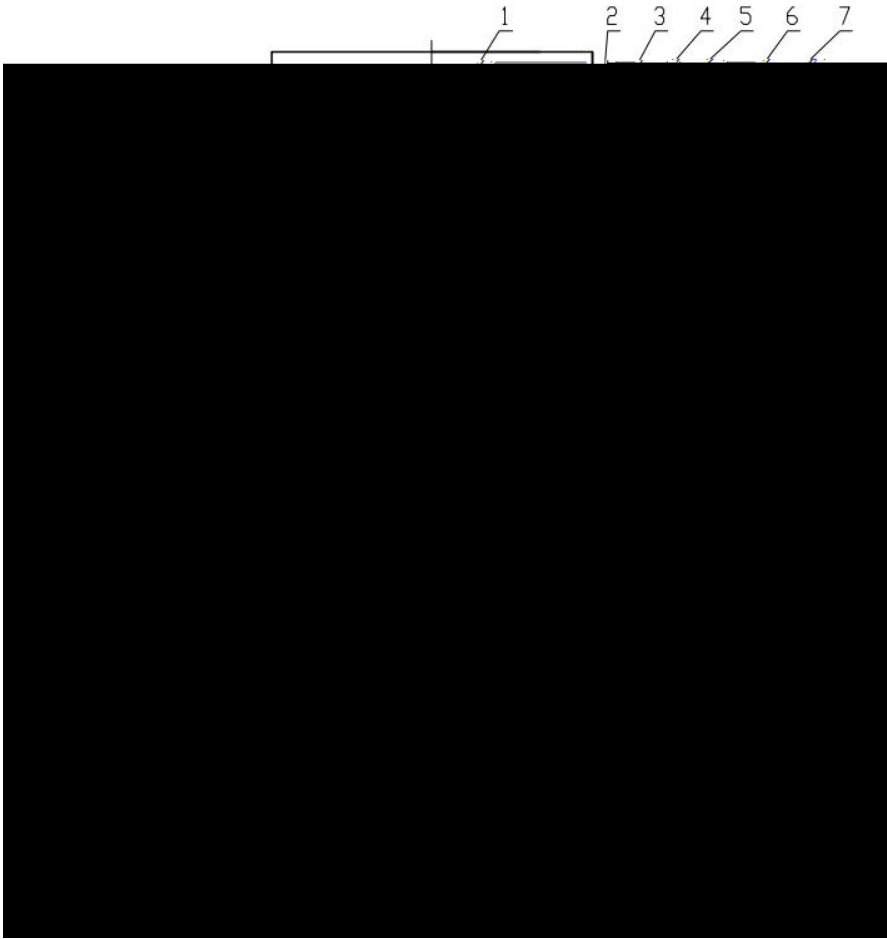
2

1.4

0.5mm



1.4



1

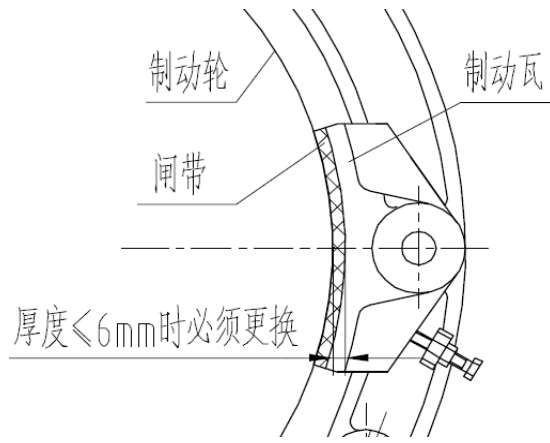
2

3

4

6mm

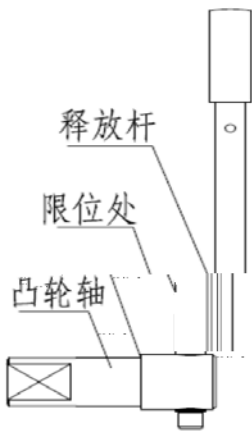
1.6



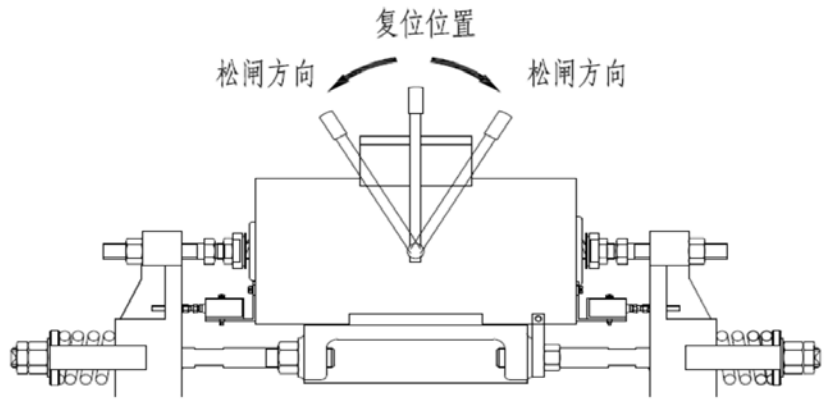
1.6

1

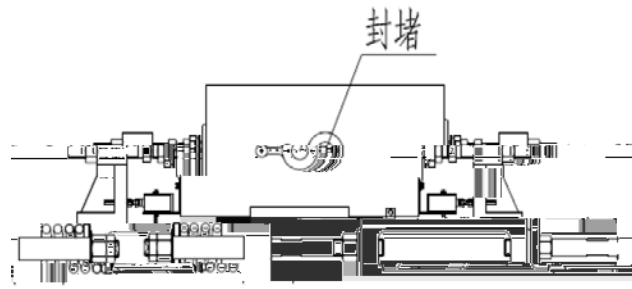
1.7



1.7



1.8



1.9

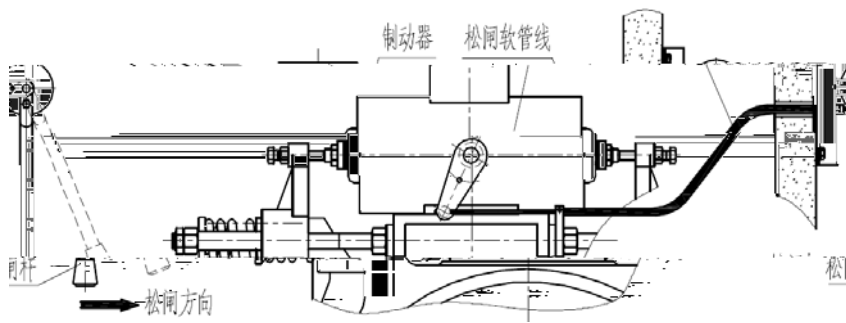
2

2.0

1

2

250mm



2.0

1

2

3

4

1.9

5

6

7